

Model	Description
HD-A520	Single-Wing Drop test machine
HD-A520-1	Double-wing drop test machine
HD-A520-2	Drop test Machine (large type)
HD-A520-2A	Drop test Machine (large type)
HD-A520-3	Zero drop test Machine
HD-A520-4	Drop test Machine (large type)

<https://youtu.be/AdWjJgMmzpc>

EQUIPMENT DETAILS OF HD-A520 Single Wing Drop Test Machine



GENEERL SPECIFICATIONS

Packaging Dimensions: (WxDxH) 1795*1200*1820mm

Power supply source: Three-phase, 380V±10%, 50/60Hz (can be appointed)

Gross Weight: 500kg

STANDARD SPECIFICATIONS

Item	Description
Drop height	300-1500mm (can be customized)
Display method	Digital display
Max. weight of sample	60kg (can be customized)
Max. size of sample	(L*W*H) 800*800*800mm
Drop panel area	400*600*10mm (material is Solid steel plate)
Control box dimension	(L*W*H) 350*350*1100mm
Deviation of drop horizon	Less than 1°

FEATURES

1. Outside material: advanced paint coat
2. Power system: drive device (imported motor + speed reducer +Axel+ upper and lower limitation + spring +electromagnet)+ dropping device(dropping standard board +magnet + safety spacing push rod + automatic return back + digital alto-meter +encoder + hydraulic pressure buffering device)
3. Control system: adopting electromagnet sensor control, the interface is easy to operate, high degree automatic control
4. Safety device: upper and lower limitation device, automatic off-power device if electricity leakage occurs

EQUIPMENT DETAILS OF HD-A520-1 Digital Double-wing Drop test machine



Products description:

During the products handling or transport process, there may be drop/ fall, which results in damage within the products. And the machine simulates the drop/ fall of a finished product to evaluate the damage. Standard test of packaged freights (surfaces, corners, and edges), etc. can be performed efficiently with a high accuracy.

GENEERL SPECIFICATIONS

Packaging Dimensions: (WxDxH) 1600*1400*2350mm
Power supply source: Three-phase, 380V±10%, 50/60Hz (can be appointed)
Gross Weight: 500kg

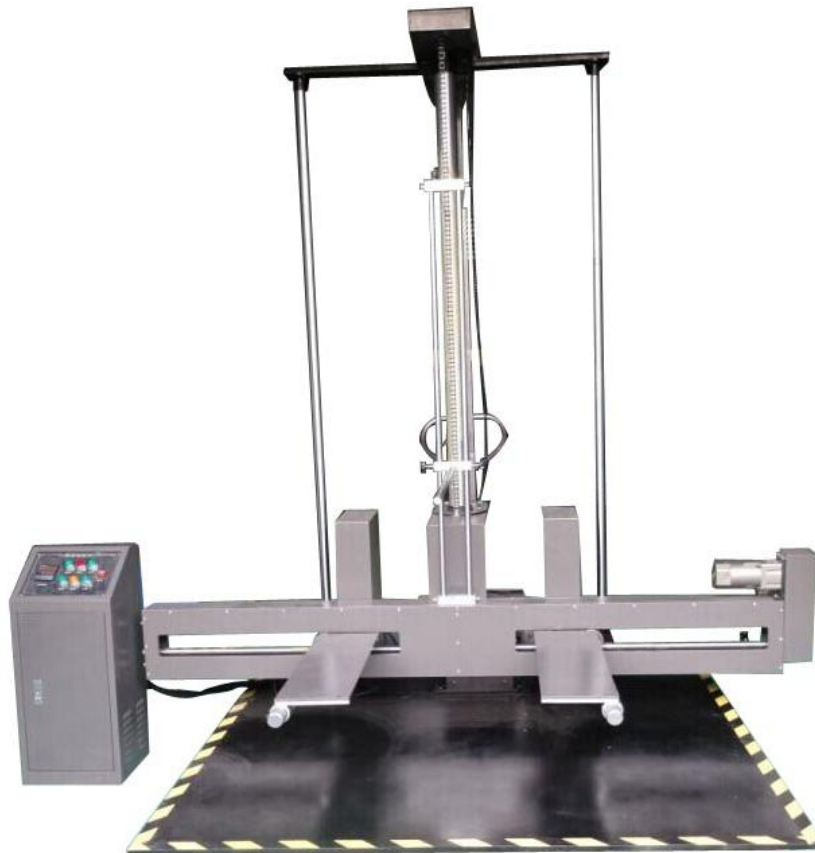
STANDARD SPECIFICATIONS

Item	Description
Drop height	400-1500mm (can be customized)
Display method	Digital display
Max. weight of sample	60kg (can be customized)
Max. size of sample	(L*W*H) 800*800*800mm
Drop panel area	150*180*8mm (material is Solid steel plate)
Control box dimension	(L*W*H) 350*350*1100mm
Deviation of drop horizon	Less than 1°
Machine size	(L*W*H)1400*1200*2200mm

FEATURES

1. Outside material: advanced paint coat
2. It adopts double wings to fix the products well when testing.
3. Power system: drive device (imported motor + speed reducer +Axel+ upper and lower limitation + spring +electromagnet)+ dropping device(dropping standard board +magnet + safety spacing push rod + automatic return back + digital alto-meter +encoder + hydraulic pressure buffering device)
4. Control system: adopting electromagnet sensor control, the interface is easy to operate, high degree automatic control
5. Safety device: upper and lower limitation device, automatic off-power device if electricity leakage occurs

EQUIPMENT DETAILS FOR HD-A520-2 DROP TEST MACHINE



PRODUCT INTRODUCTION

This tester is used to test the damage degree when the package is dropped, and test the impact resistance of the package during transportation, for example, to test the surface, edge and angle of the package through free-drop method

STANDARD SPECIFICATIONS

Drop height	400-1100mm
Specimen Max.Weight	100kg (Can be custom made)
Drop panel materials	Steel
Specimen Max. Size	1000*1500*800(HxWxD) (can be custom made)
Drop Error	± 10mm
Drop Flat Error	< 1°
Control Box Size (L x W x H)	350x350x800mm
weight	Approx.600KG
Voltage	three-phase,220V±10%, 50/60Hz

EQUIPMENT DETAILS OF HD-A520-2A Drop test machine(Large type)



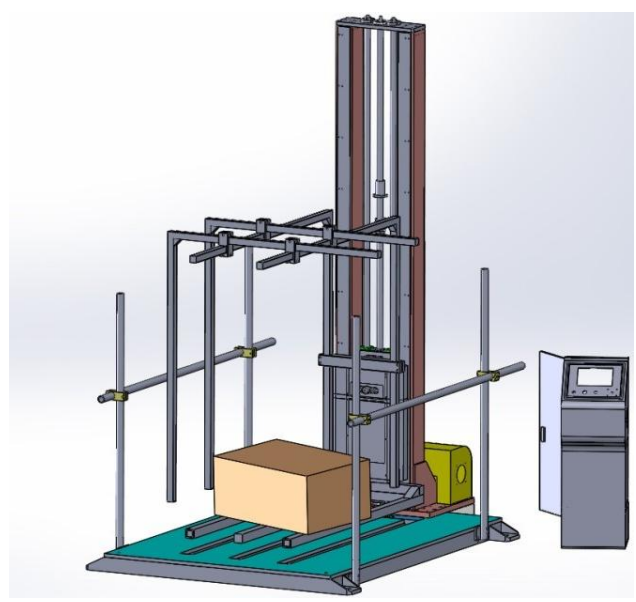
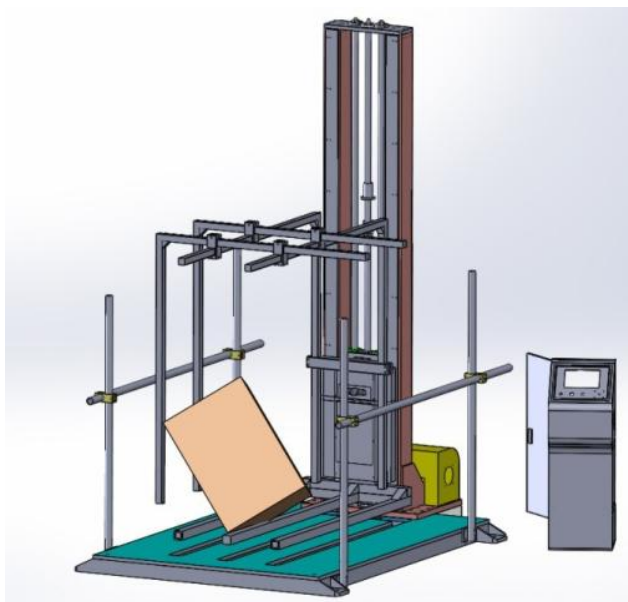
Products description:

During the products handling or transport process, there may be drop/ fall, which results in damage within the products. And the machine simulates the drop/ fall of a finished product to evaluate the damage. Standard test of packaged freights (surfaces, corners, and edges), etc. can be performed efficiently with a high accuracy.

STANDARD SPECIFICATIONS

Sample max. load	120KG(can be customized)
Test space	1200*1200*1000mm (can be customer made)
Drop height	300-1500mm (Adjustable)
Drop test	Corners, edges , faces of sample
Drive mode	Motor drive,cylinder drive
Panel material	45# steel, solid steel plate
Arm material	45# steel
Height display	Digital
Operate mode	Button type
Driving mode	Taiwan Linear slider and copper guide
Drop method	Electromagnetic and pneumatic comprehensive support
Package	Strong wooden case
Power	Single Phase, 220V, 50/60Hz

EQUIPMENT DETAILS of HD-A520-3 Zero drop test machine



GENERAL SPECIFICATIONS

Packaging Dimensions: (WxDxH) 2600*1500*2600mm

Power supply source: Three-phase, 380V±10%, 50/60Hz (can be appointed)
Gross Weight: 2000kg

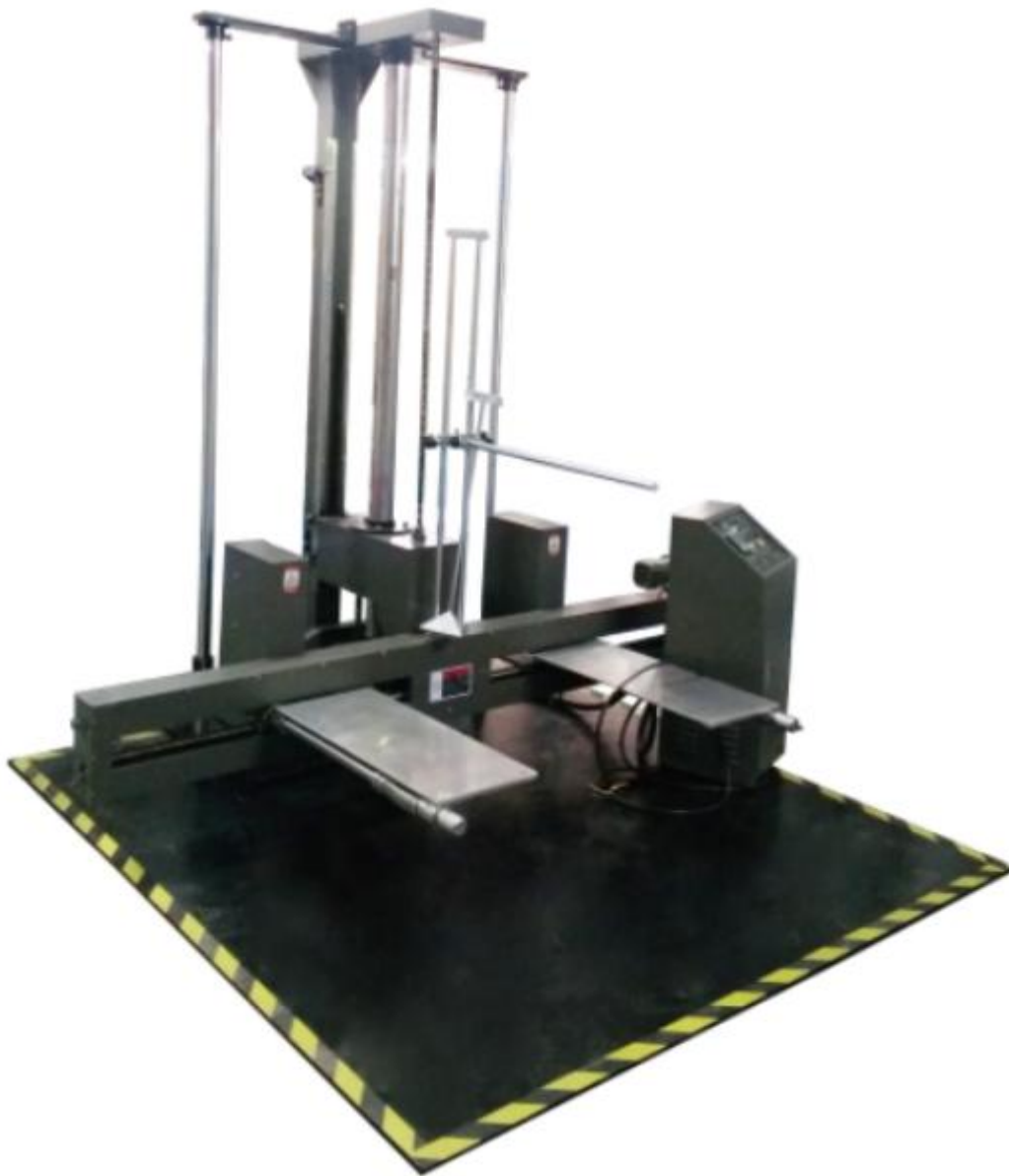
PRODUCT DESCRIPTION

During the products handling or transport process, there may be drop/ fall, which results in damage within the products. And this device simulates the drop/ fall situation of a finished product to evaluate the damage. This Drop Tester is mainly used to test angles, faces and corners of package.

STANDARD SPECIFICATIONS

Sample max. load	500KG
Test space	1200*1200*1200mm (can be customer made)
Drop height	0-1000mm (Adjustable)
Drop test	Corners, edges , faces of sample
Drive mode	Motor drive
Protection device	Induction type protection device
Panel material	45# steel, solid steel plate
Arm material	45# steel
Height display	Digital
Operate mode	PLC
Driving mode	Taiwan Linear slider and copper guide
Drop method	Electromagnetic and pneumatic comprehensive support
Package	Strong wooden case
Package Weight	800KG
Power	Three- Phase, 380V, 50/60Hz

EQUIPMENT DETAILS FOR HD-A520-4 DROP TEST MACHINE



PRODUCT INTRODUCTION

This tester is used to test the damage degree when the package is dropped, and test the impact resistance of the package during transportation, for example, to test the surface, edge and angle of the package through free-drop method

STANDARD SPECIFICATIONS

Drop height	400-1500mm
Specimen Max.Weight	100kg (Can be custom made)
Drop panel materials	Steel
Specimen Max. Size	1200*1200*1000(HxWxD) (can be custom made)
Drop Error	± 10mm
Drop Flat Error	< 1°
Control Box Size (L x W x H)	350x350x800mm
weight	Approx.600KG
Voltage	three-phase,220V±10%, 50/60Hz